

Solar Boost SB3024iL

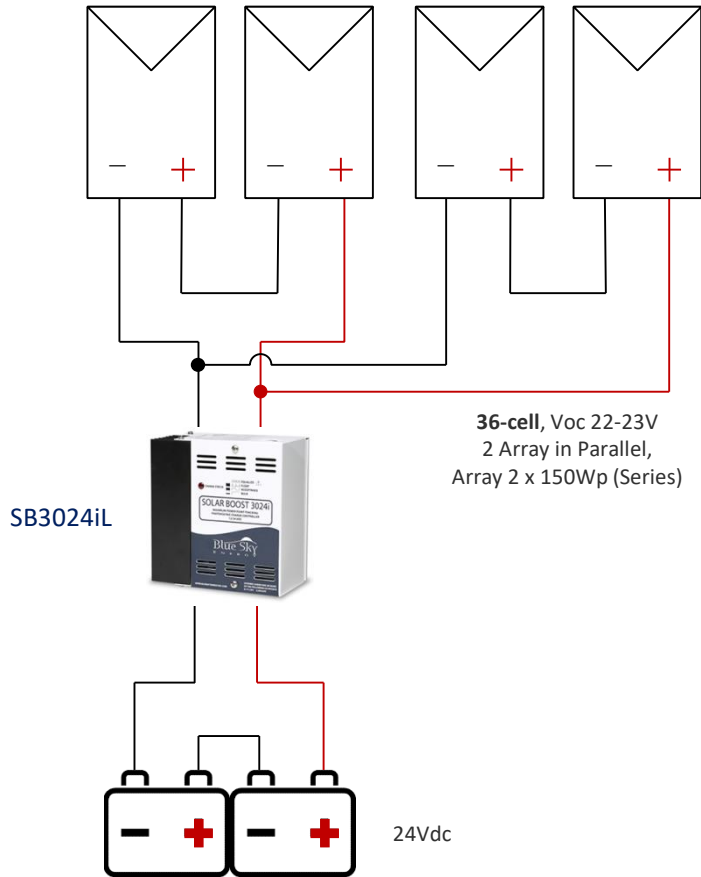
Max Charge 30A - Max Power 800Wp

System Voltage 24V | Max Voc 45,6V



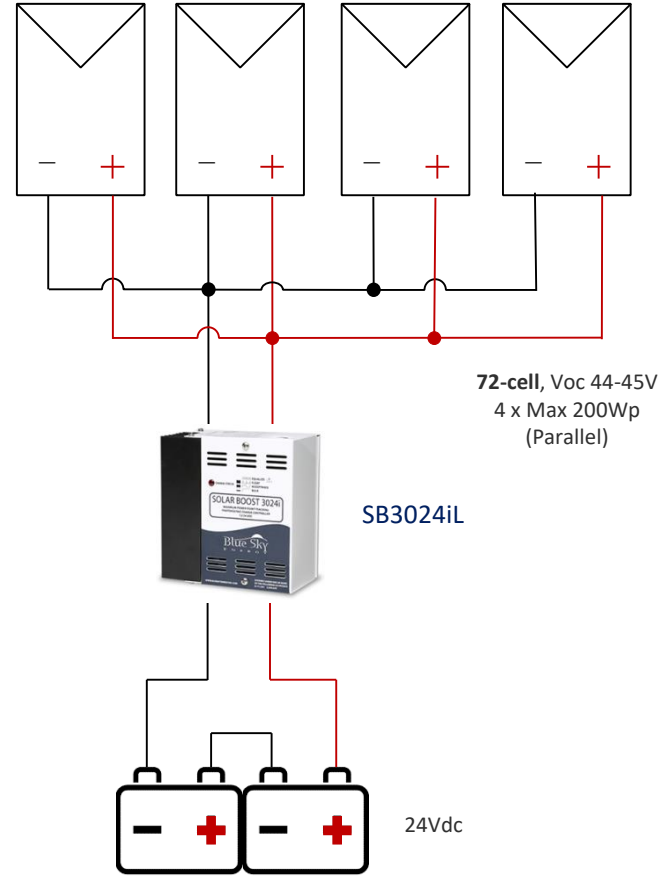
Example #4

12V panel, Max PV 600w



Example #5

24V panel, Max PV 800w



PV Panel



Battery (AGM)

Blue Sky Energy Inc.

June, 2016

Single Line Diagram - SB3024iL @24V

www.blueskyenergyinc.com